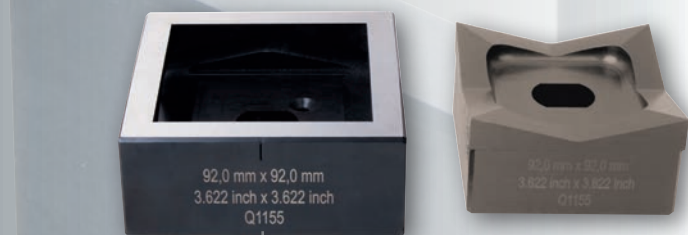





Hole punch FormCut+™ for sheet steel (S235) and stainless steel

- 1 with sideways punch part ejection
- 2 With UNF fine thread
- 3 With 4 crosshair markings for simple, central alignment



"The max. material thickness at which a square or rectangular hole punch (or even special tool) can be used always depends on the draw bolt and the cross-section of the tool (length x width or special shape)."

Size in mm	Max. Material thickness in mm (VA)	For use in		pre-drilling in mm	 incl. ① - ④	①	②	③	④
						draw bolt	counternut	Ball bearing pressure nut	Adapter for hydraulic

Hole punch FormCut+™ - square - for stainless steel (VA)

					Prod.-No.				
12.7 x 12.7	1.25	●	●	10	013001	01348	01355	01352	01353
15.8 x 15.8	1.25	●	●	10	013011				
19.0 x 19.0	1.5	●	●	14	013021	01347	01351		
22.2 x 22.2	1.5	●	●	14	013031				
24.0 x 24.0	1.5	●	●	14	013311				
25.4 x 25.4	1.5	●	●	17	013041	01360	01354	01359	01361
45.5 x 45.5	2.0		●	20	013131	01345	01350		
46.0 x 46.0	2.0		●	20	013051				
50.8 x 50.8	2.0		●	24	013061	01344	01349		
68.0 x 68.0	2.0		●	24	013081				
92.0 x 92.0	2.0		●	30	013091	01343	01356		
125.0 x 125.0	2.0		●	30	014311				
138.0 x 138.0	2.0		●	30	013111				

Size in mm	Max. Material thickness in mm (VA)	Number of poles	For use in		pre-drilling in mm	 incl. ① - ④	①	②	③	④
							draw bolt	counternut or bridge	Ball bearing pressure nut	Adapter for hydraulic

Hole punch FormCut+™ - rectangular - for stainless steel (VA)

						Prod.-No.				
17.0 x 19.0	1.5		●	●	14	013171	01347	01351	01352	01353
21.8 x 25.8	1.5		●	●	17	013181				
22.0 x 30.0	1.5		●	●	17	013191	01360	01359	01361	
22.0 x 42.0	1.5		●	●	17	013201				
25.0 x 50.0	1.5		●	●	17	013321				
45.0 x 92.0	2.0			●	24	013141	01344	01349		
46.0 x 92.0	2.0			●	24	013241				
68.0 x 138.0	2.0			●	30	013301	01343	01358		

Hole punch FormCut+™ - rectangular - for heavy plug connectors - for stainless steel (VA)

36.0 x 52.0	2.0	6-pole		●	24	013251	01344	01350		
36.0 x 65.0	2.0	10-pole		●	24	013261				
36.0 x 86.0	2.0	16-pole		●	24	013271				
36.0 x 91.0	2.0			●	24	013231		01349		
36.0 x 112.0	2.0	24-pole		●	24	013281	01343	01357		
46.0 x 86.0	2.0			●	24	013221	01344	01349		
46.0 x 112.0	2.0			●	30	013241	01343			